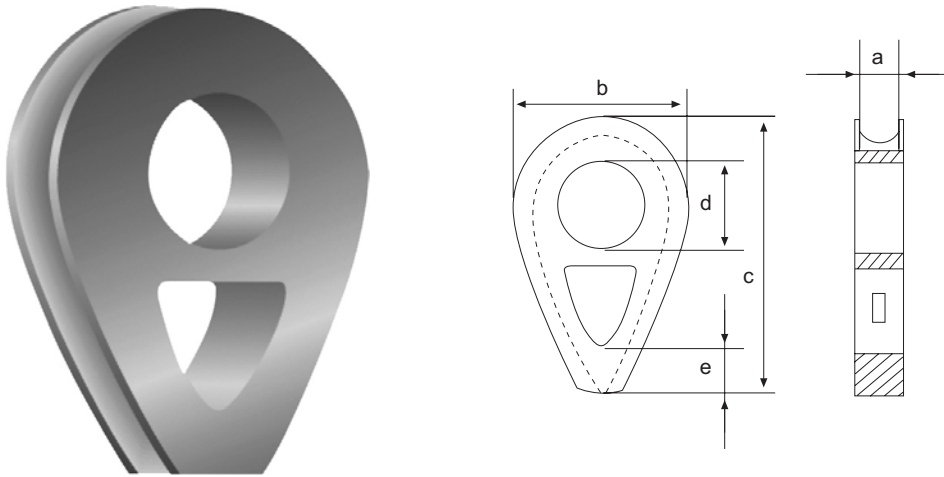


## Thimbles to DIN 3091 Type TDN



- For specific and more permanent applications
- Cast mild steel and self-colored
- Give greater protection against wear and deformation of the wire rope
- Has much longer service life
- Conform to DIN 3091 Standard

### Thimbles to DIN 3091 Type TDN

Product Code	Rope Dia. (mm)	Width Groove a (mm)	Width b (mm)	Length c (mm)	Diameter d (mm)	Length e (mm)	Weight per 100pcs (kg)
008	8	9	40.0	66.0	14.0	-	18.0
010	10	11	50.0	82.0	18.0	-	32.0
012	12	13	60.0	98.0	21.0	-	52.0
014	14	16	70.0	114	25.0	-	80.0
016	16	18	80.0	130	28.0	16.0	90.0
018	18	20	90.0	145	31.0	18.0	121
020	20	22	100	161	35.0	20.0	161
022	22	24	110	177	38.0	22.0	211
024	24	26	120	193	41.0	24.0	271
026	26	29	130	209	44.0	26.0	355
028	28	31	140	224	47.0	28.0	420
032	32	35	160	256	53.0	32.0	630
036	36	40	180	288	59.0	36.0	884
040	40	44	200	320	65.0	40.0	1100
044	44	48	220	352	70.0	44.0	1500
048	48	53	240	384	76.0	48.0	2000
052	52	57	260	416	81.0	52.0	2500