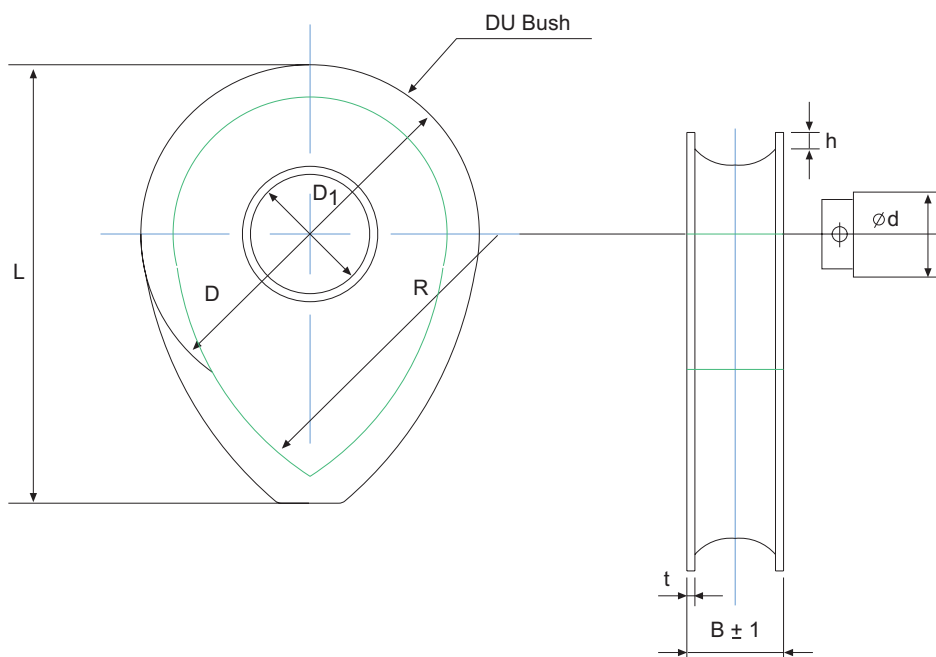


Thimbles To JIS Standard



Thimbles to JIS Standard

JIS Thimble No.	Rope Dia. (mm)	Dimension (mm)								Pin Dia. d (mm)
		L	D	D1	R	B	t	r	h	
24	20	136	105	42	112	29	2.5	13	10	36
26	22.4	144	110	42	120	31	2.5	13.5	10	36
28	24.25	156	120	50	131	33	2.5	14.8	11.5	42
30	26	166	130	50	137	35	2.5	15.5	13	42
32	28	180	140	50	148	38	3	16.5	14.5	42
34	30/31.5	186	145	55	154	40	3	17.5	13.5	48
36	32/33.5	196	150	55	164	42	3	19.0	13.5	48
45	35/35.5/40	242	190	75	198	52	4	22.5	19.5	64

- Note:
1. This table is due to JIS B 2802 - 1958.
 2. Material: SS400, S25C or FCD450.
 3. To be galvanized except for fitting surface of DU bush.