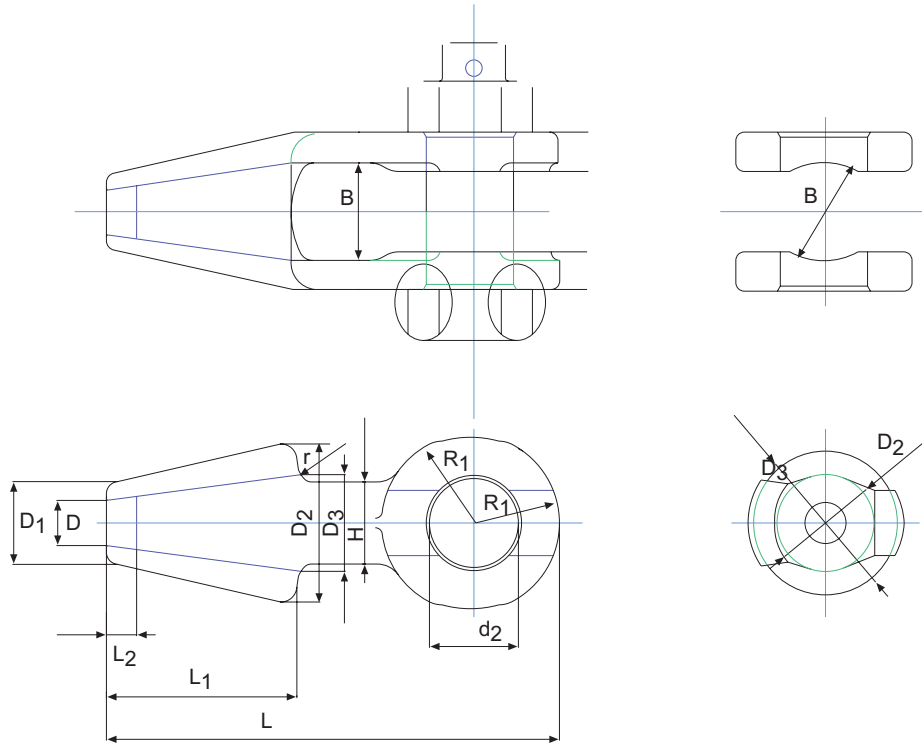


## JIS Type Open Spelter Socket



Nominal Size	Dia. of applicable wire rope	D (mm)	D <sub>1</sub> (mm)	D <sub>2</sub> (mm)	D <sub>3</sub> (mm)	B (mm)	L (mm)	L <sub>1</sub> (mm)	L <sub>2</sub> (mm)	H (mm)	R <sub>1</sub> (mm)	r <sub>1</sub> (mm)	Safe working load (kN)	Reference
														Calculated mass (kg)
16	16	20	26	37	55	40	193	88	8	24	38	2	25.5	1.04
18	18	23	30	40	62	43	210	95	9	27	41	2	32.4	1.49
20	20	25	35	44	69	47	227	103	10	30	44	2	40.2	2.13
22	22.4	30	40	49	77	52	245	111	11	33	48	2	50.0	2.84
24	24	32	44	52	84	56	262	119	12	36	51	2	57.9	3.77
25	25	33	49	56	91	60	281	127	13	39	54	2	67.7	4.83
28	28	36	53	61	98	65	298	135	14	41	58	2	78.5	5.92
30	30	38	58	64	106	68	316	143	15	44	61	3	90.2	7.50
32	31.5	40	62	68	113	72	335	151	16	47	64	3	103.0	9.21
34	33.5	42	67	71	120	75	353	159	17	50	68	3	112.8	11.3
36	35.5	44	71	76	127	80	373	168	18	53	72	3	127.5	13.1
38	37.5	47	76	80	134	84	392	177	19	56	75	3	142.5	15.4
40	40	49	80	84	141	88	413	186	20	59	79	4	161.8	18.0
42	42.5	52	84	88	148	92	434	196	21	61	83	4	181.4	20.9
45	45	54	92	96	162	101	474	214	23	67	91	4	205.9	27.5
48	47.5	57	96	99	169	104	494	223	24	70	95	4	225.6	31.4
50	50	60	99	104	176	109	516	233	25	73	99	5	250.1	35.1
53	53	63	102	108	183	113	536	242	26	76	103	5	274.6	39.3
56	56	66	108	114	193	119	567	256	28	80	109	5	308.9	46.9
60	60	70	116	124	210	129	619	279	30	87	119	6	353.0	59.4
63	63	74	120	128	216	133	641	289	31	90	123	6	392.3	64.5