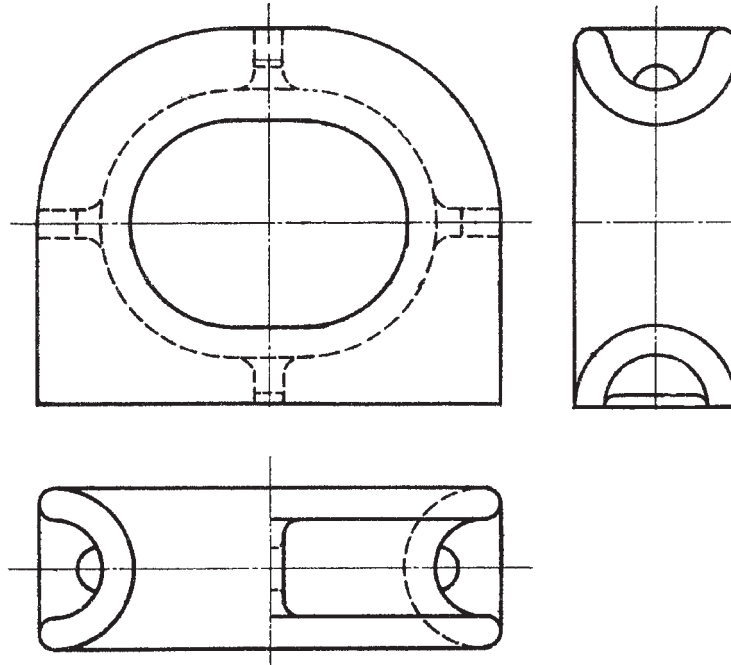
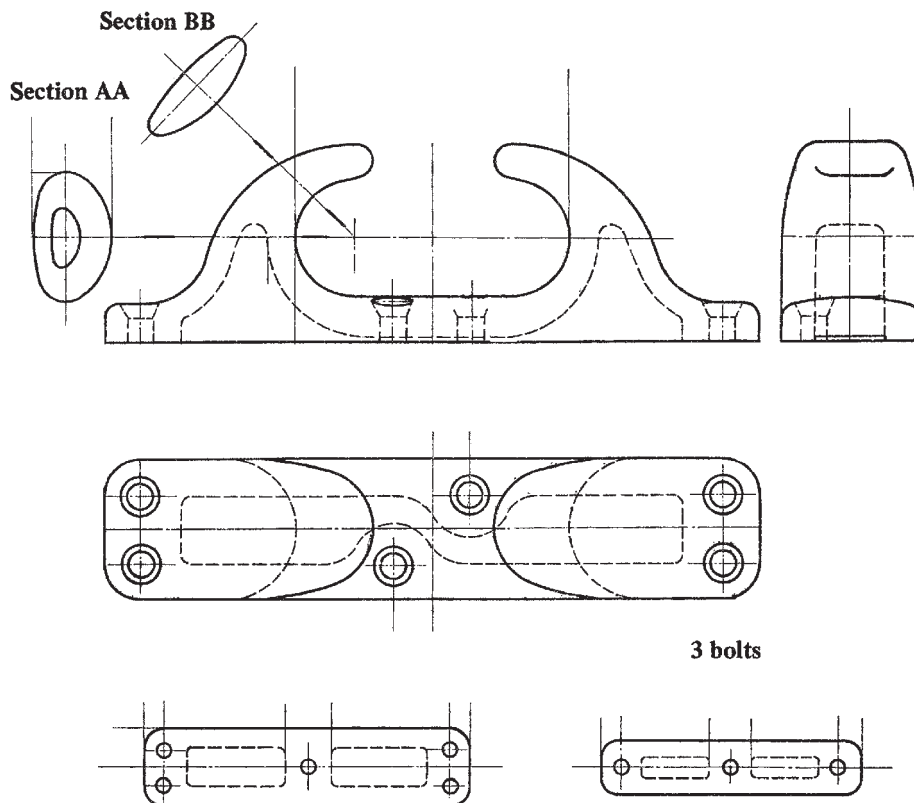


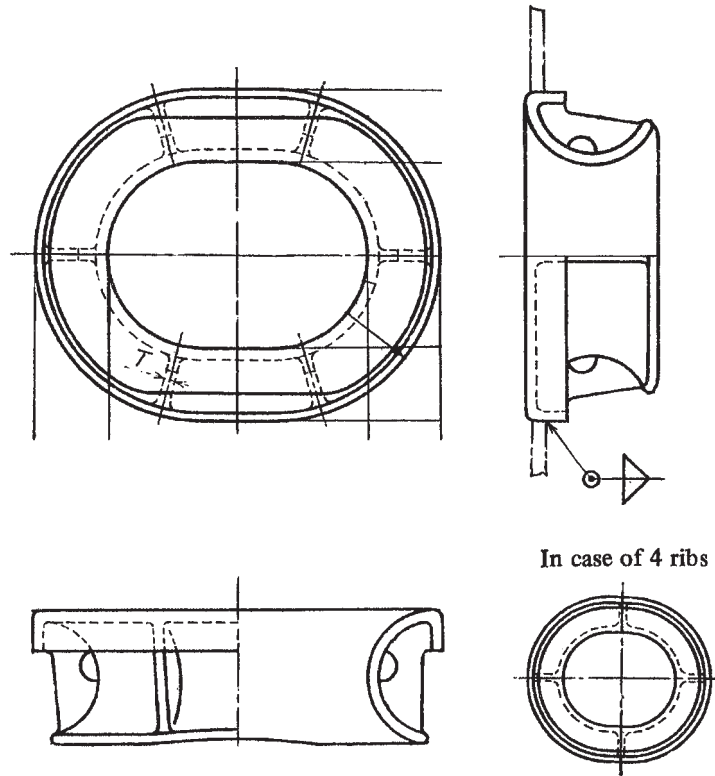
## MEP 2005 Closed Chocks



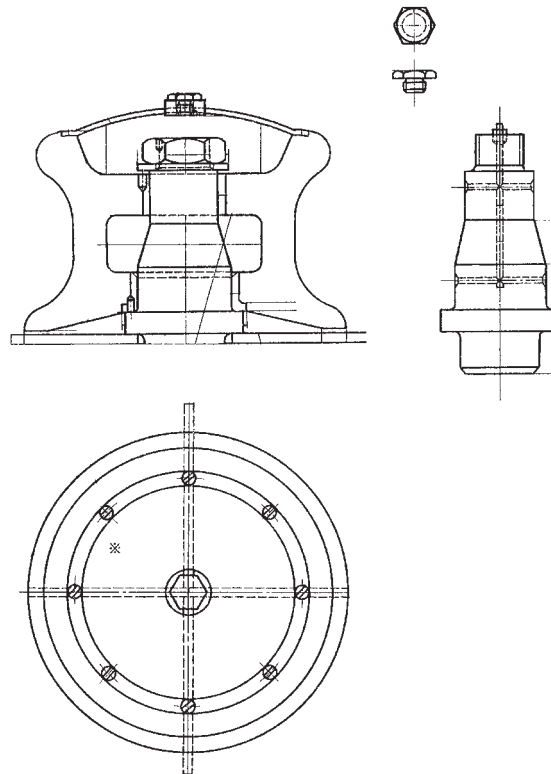
## MEP 2006 Open Chocks



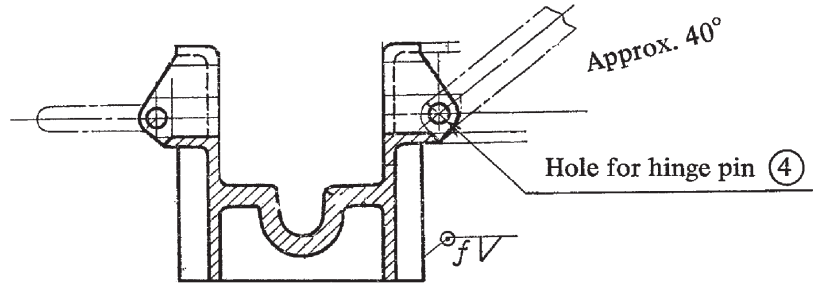
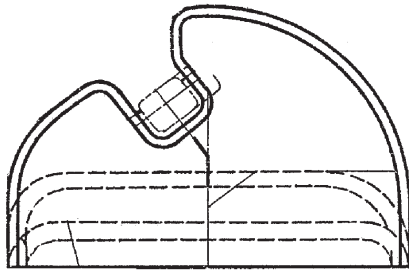
## MEP 2007 Mooring Pipes



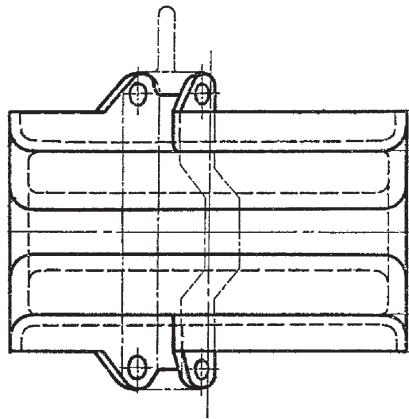
## MEP 2014 Fairleads



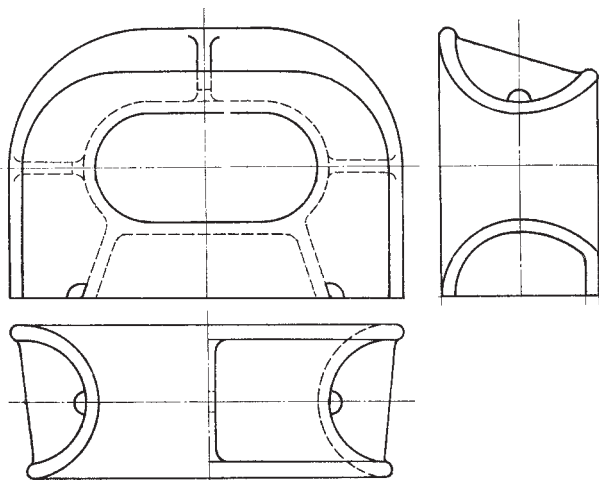
## MEP 2015 Steel Bar Type Anchor Chain Stoppers



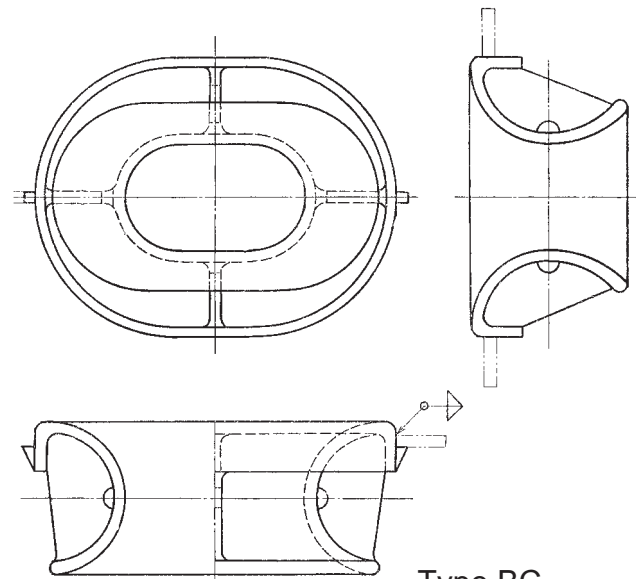
Section AA



## MEP 2017 Panama Chocks



Type AC

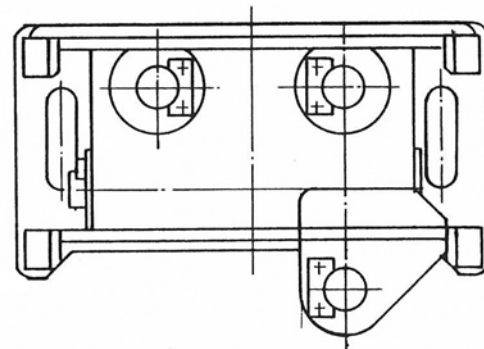
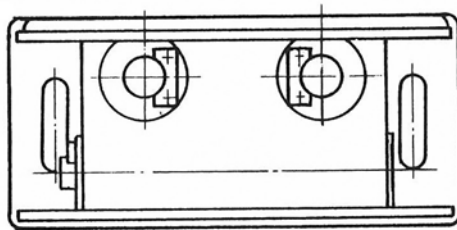
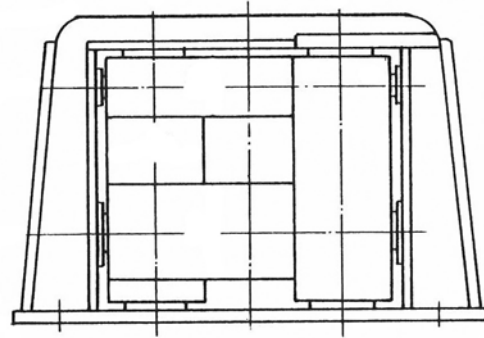
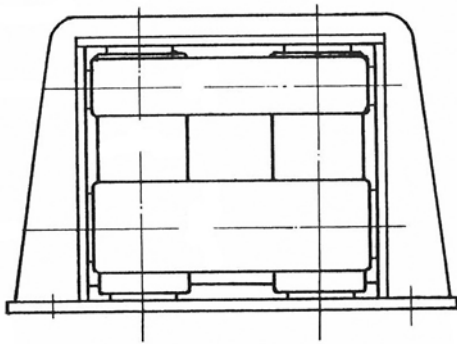


Type BC

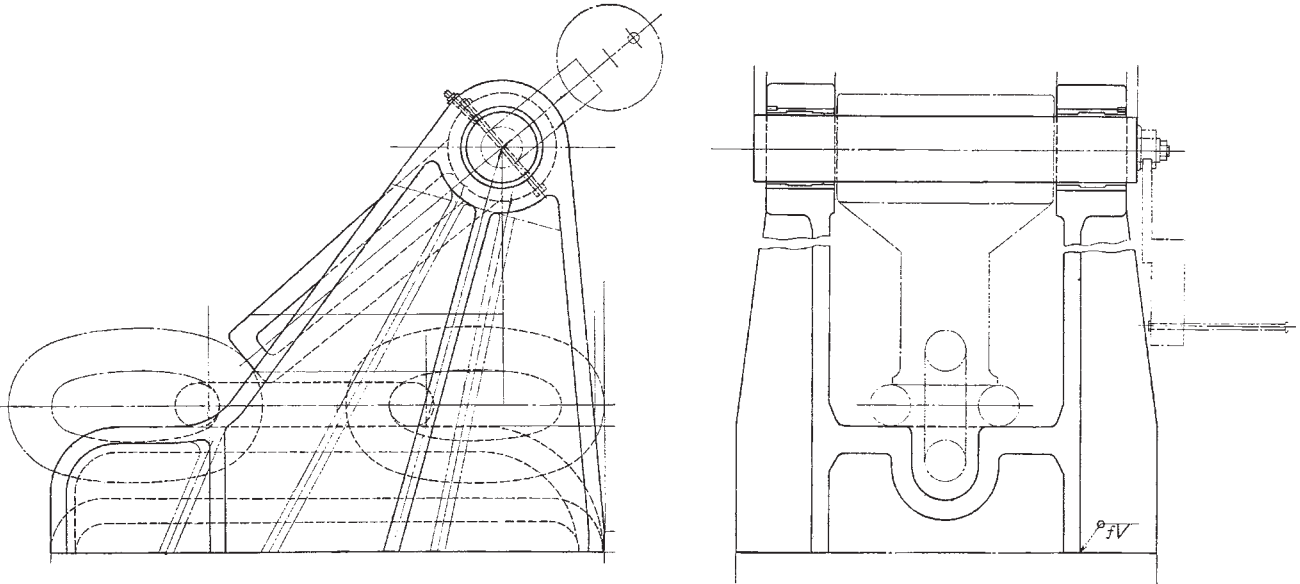
## MEP 2026 Fairleads With Horizontal Rollers

F-2026 TYPE A 4 ROLLERS

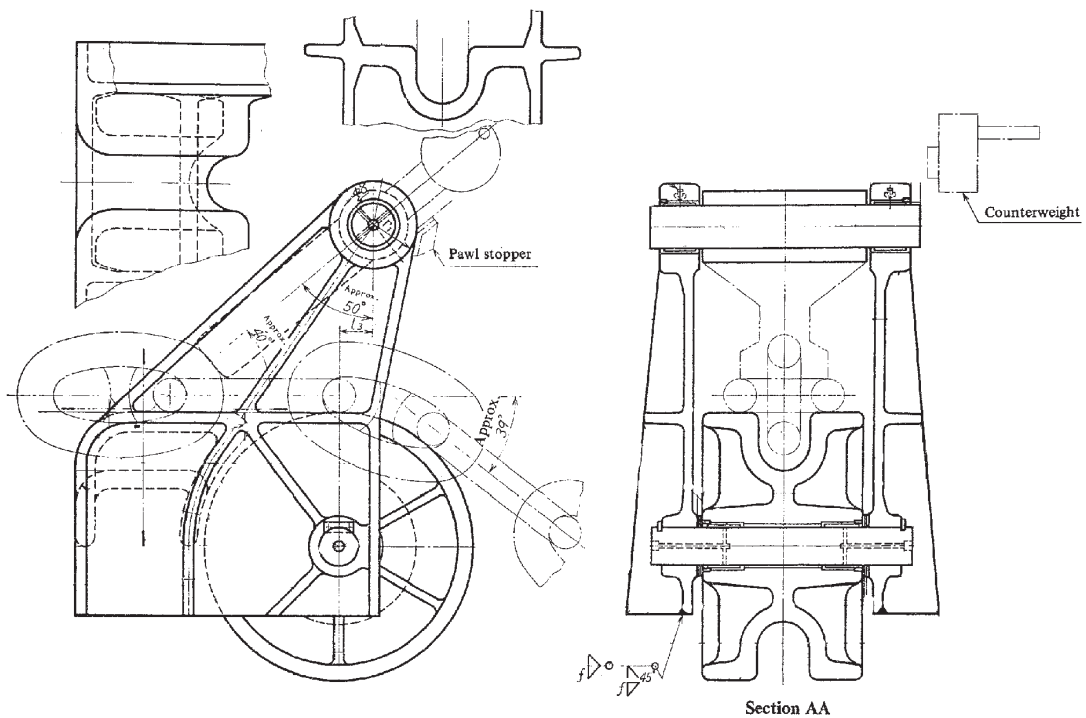
F-2026 TYPE BR 5 ROLLERS



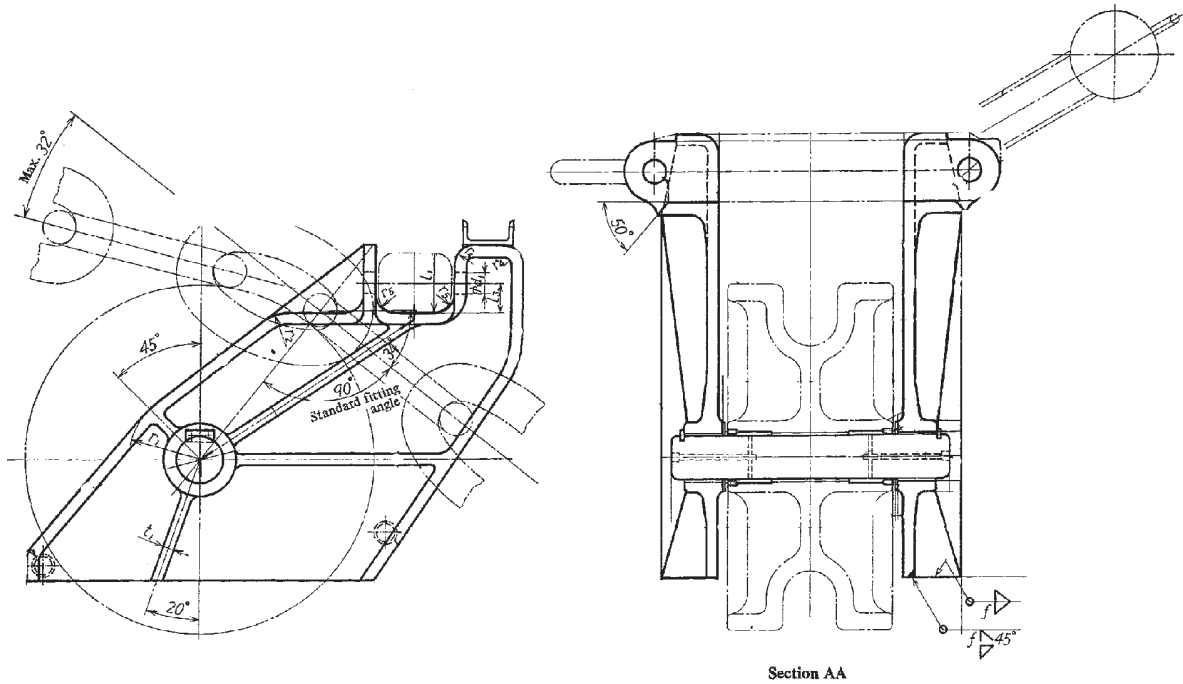
## MEP 2031 Cast Steel Pawl Type Anchor Chain Cable Stoppers



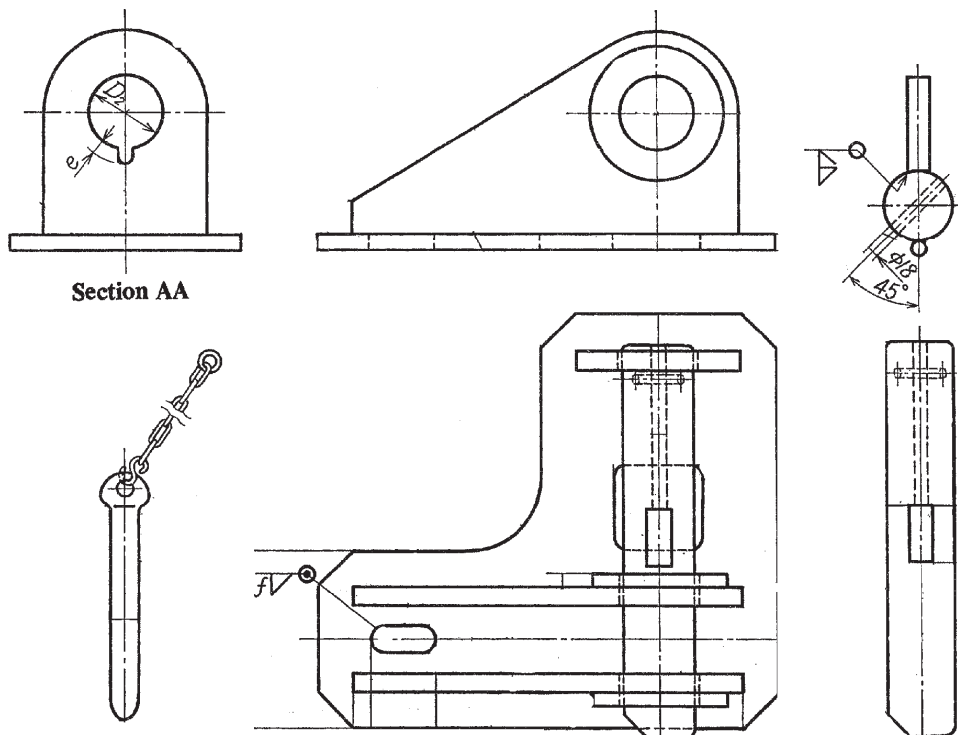
## MEP 2027 Roller Type Anchor Chain Cable Stoppers



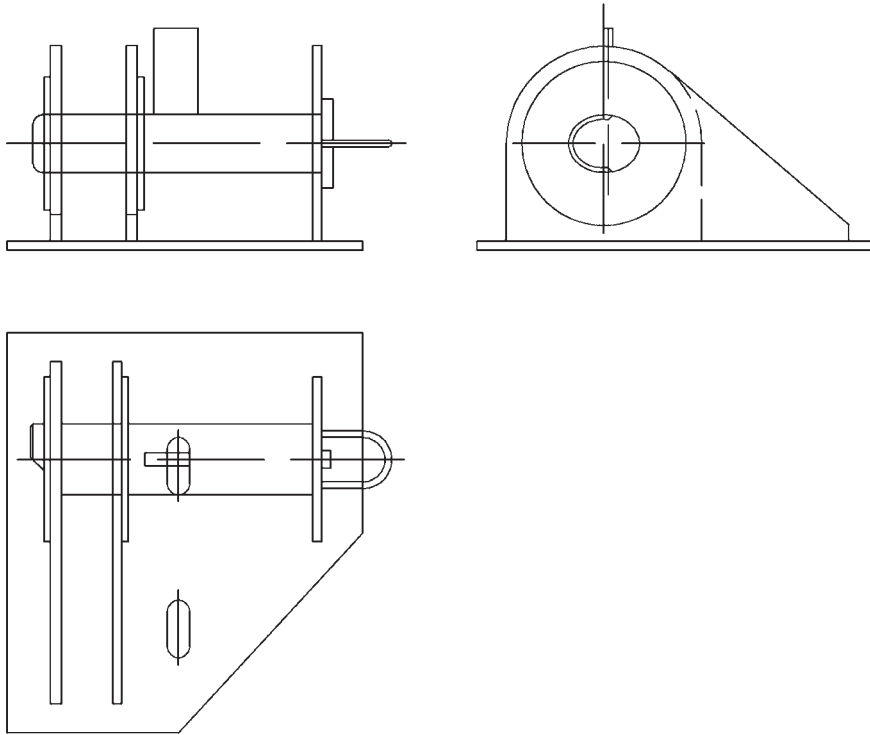
## MEP 2028 Roller Bar Type Anchor Chain Cable Stoppers



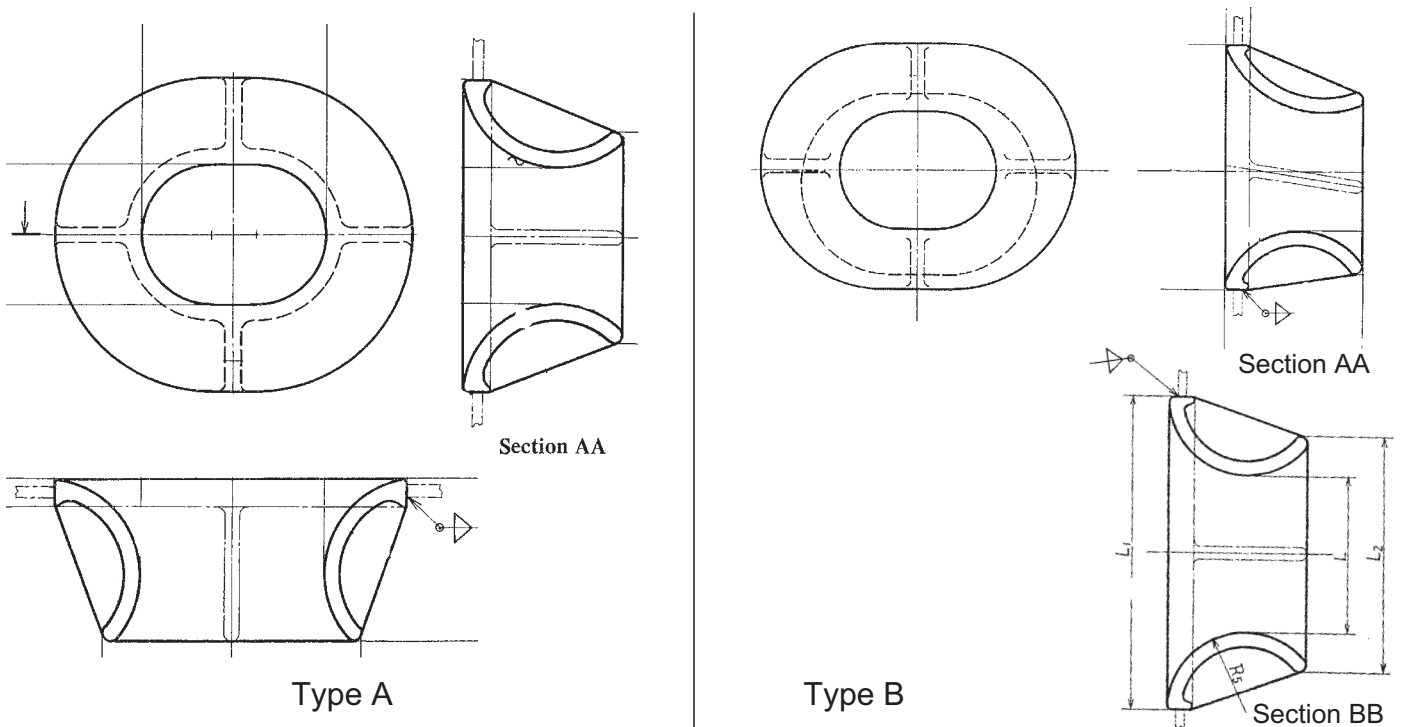
## MEP 2029a Ships' Towing And Mooring Brackets



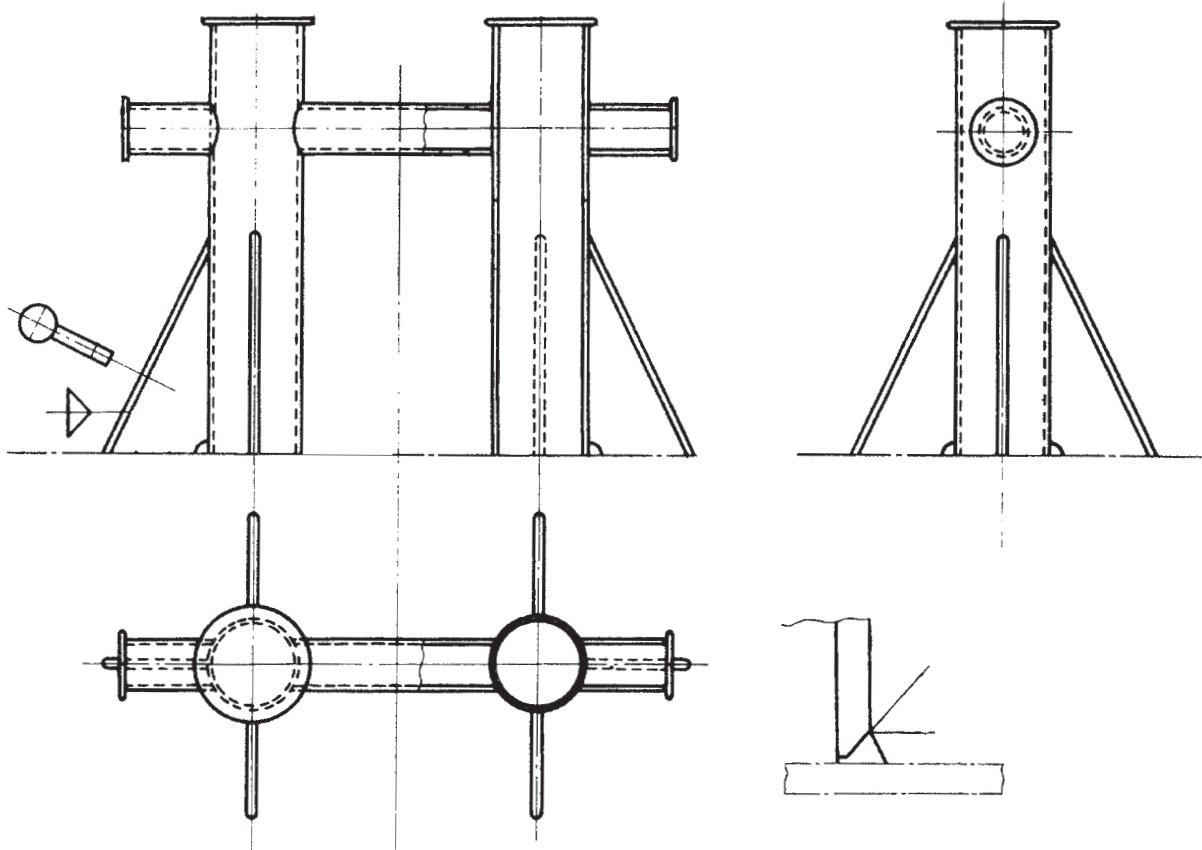
## MEP 2029b OCIMF Type Swit Bracket



## MEP 2030 Single Point Mooring Pipes



## MEP 2051 Double Type Cross Bitts For Tugboat



## MEP 3410 Ships' Eye Plates

