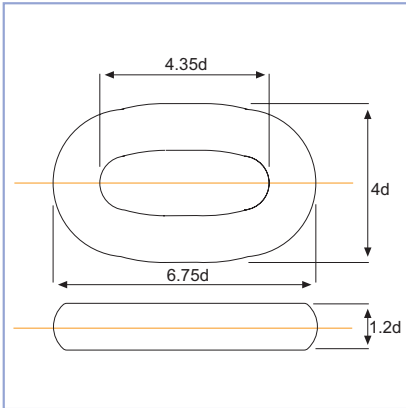
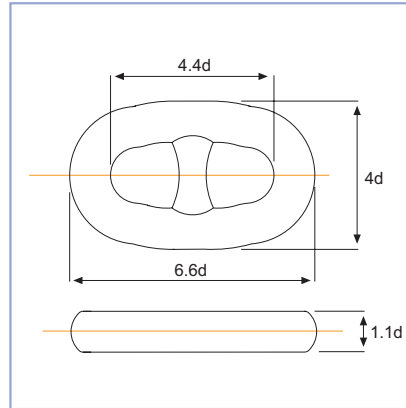


Swivel Connection

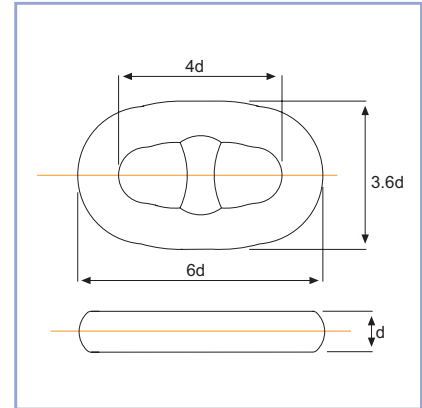
End link (E)



Enlarged link (E.L)



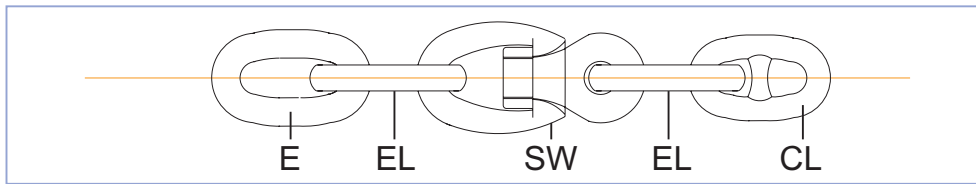
Common Link (C)



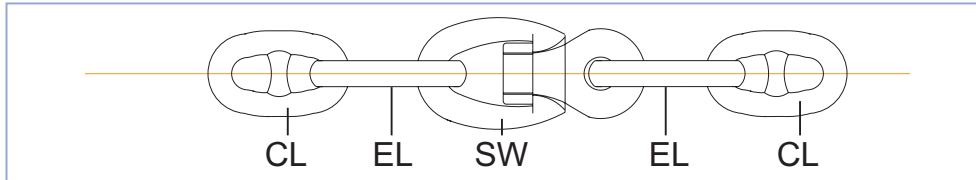
d = Chain Nominal Diameter

p = Chain Nominal Pitch

F-1



F-2



F-3

