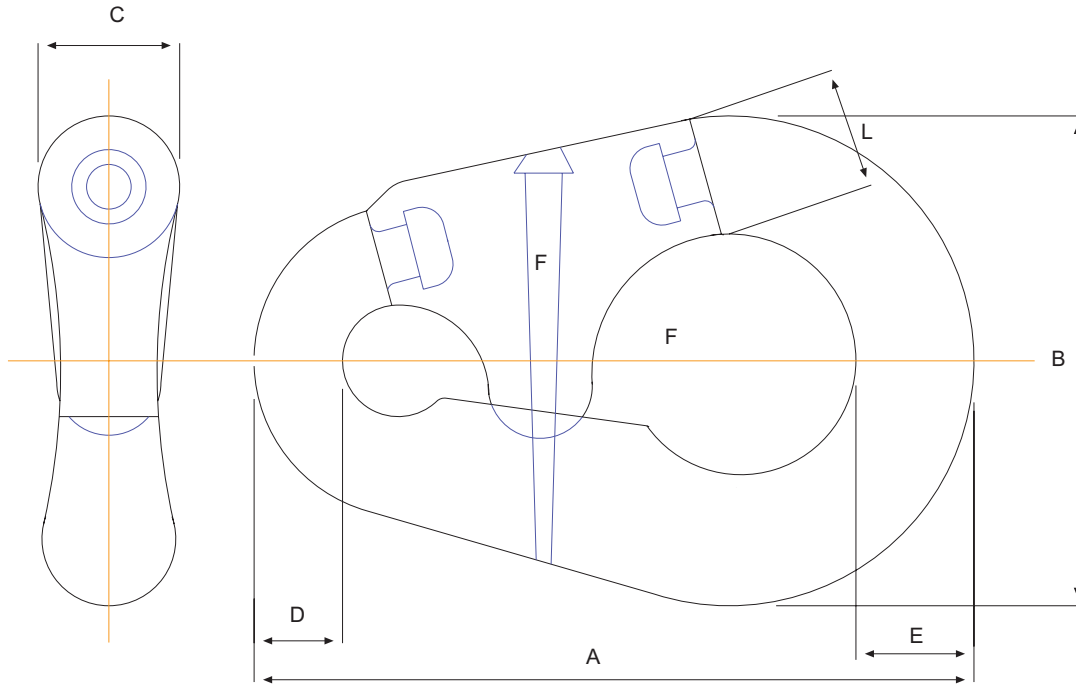


## Detachable Anchor Connecting Link



Chain Size	A (in.)	B (in.)	C (in.)	D (in.)
3/4 - 15/16	7 5/8	5 3/16	1 1/2	15/16
1 - 1 3/16	9 3/8	6 9/16	1 13/32	1 3/16
1 1/4 - 1 9/16	11 3/4	8 1/8	2 5/16	1 9/16
1 5/8 - 2	14 7/8	10 1/4	3	2
2 1/16 - 2 3/8	17 7/8	12 5/16	3 5/8	2 3/8
2 7/16 - 3 1/16	22 1/8	14 13/16	4 5/8	3 1/8
3 3/16 - 3 5/8	25 3/4	16 1/2	5 1/4	3 5/8
3 11/16 - 3 3/4	27 1/4	17 1/8	5 3/4	3 7/8
3 13/16 - 4	30 1/2	20	6 1/4	4
4 1/16 - 4 3/8	35	21 7/8	6 7/8	4 3/8
4 7/16 - 4 3/4	36 1/4	23 3/4	7 1/2	4 3/4

E (in.)	F (in.)	Proof Test (lbs)	Break Test (lbs)	Weight (lbs)
1 1/4	2 1/4	74,000	113,500	7
1 1/2	2 19/32	118,000	179,500	14
1 7/8	3 1/4	200,500	302,500	28
2 1/2	3 15/16	322,000	488,000	60
3	4 3/4	447,000	675,000	107
3 3/4	5 7/8	748,000	1,128,000	208
4 7/8	5 7/8	1,021,000	1,566,000	328
5 1/8	6 1/4	1,120,000	1,750,000	425
5 3/8	7	1,298,000	1,996,500	550
5 7/8	7 5/8	1,569,700	2,398,000	600
6 3/8	8 3/8	1,870,000	2,805,000	653