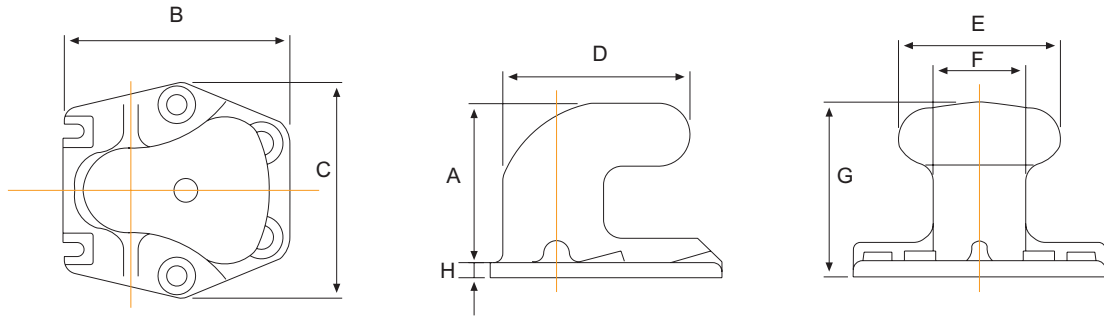


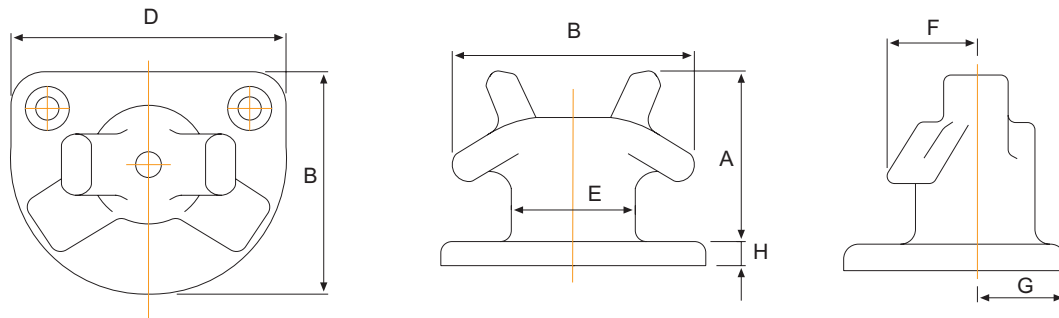
Curve Bollard



Curve Bollard			
Ref	TYPE	C50 (mm)	C70 (mm)
A		710	810
B		840	1000
C		945	1000
D		700	800
E		660	840
F		355	400

Curve Bollard			
Ref	TYPE	C50 (mm)	C70 (mm)
G		780	900
H		70	90
	No. of Bolts	6	6
	Dia of Bolts	48	56
	Pull in Tons	50	70

Horne Bollard



Horne Bollard									
Dimensions (mm)									
Ref	TYPE	H15	H20	H30	H50	H70	H100	H150	H200
A		410	455	500	530	570	585	660	660
B		440	480	600	660	750	850	930	930
D		480	530	640	700	800	920	1000	1000
E		200	220	260	300	350	400	450	450
F		145	170	190	220	260	280	325	325
G		165	190	220	250	250	310	350	350
H		40	45	50	70	80	90	90	100
	No. of Bolts	5	5	5	7	7	7	8	8
	Dia of Bolts	30	30	36	42	42	51	56	64
	Pull in Tons	15	20	30	50	70	100	150	200