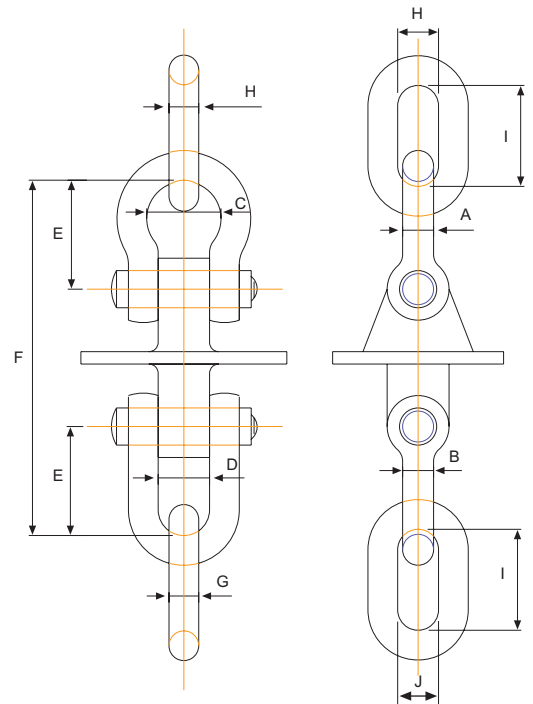
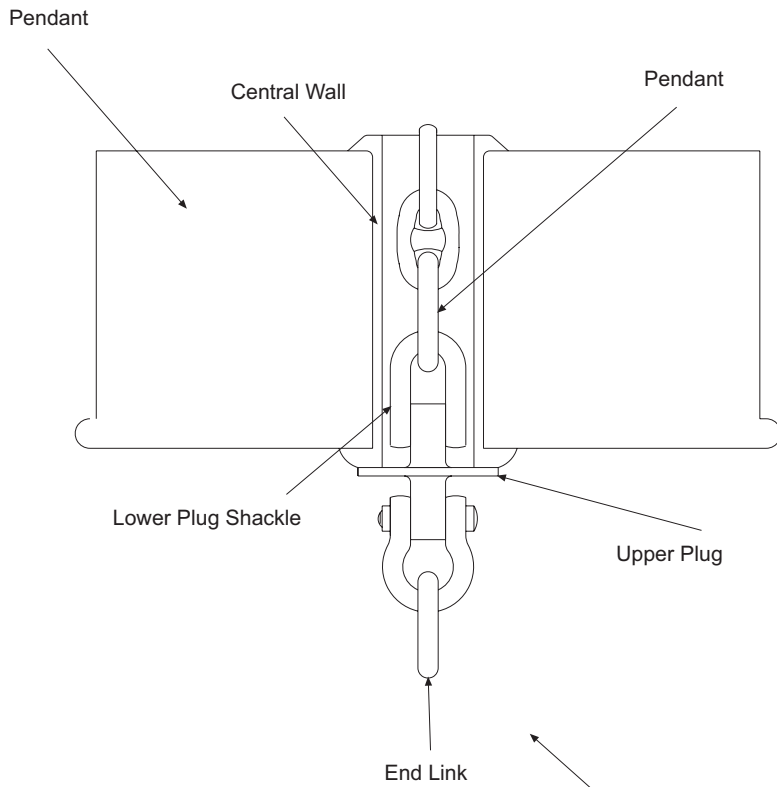


Buoy Connection



Upper Plate 4 Mooring Buoy

CODE TAP	A (mm)	B (mm)	C (mm)	D (mm)	E (mm)	F (mm)	G (mm)	H (mm)	I (mm)	Breaking load (kN)	Weight (kg)
MH-01	50	50	120	83	224	199	627	66	163	940	109
MH-02	64	64	150	105	301	238	825	92	236	1400	268
MH-03	89	89	200	146	418	314	1100	115	305	3300	565
MH-04	110	110	280	175	455	420	1400	144	380	5500	1168