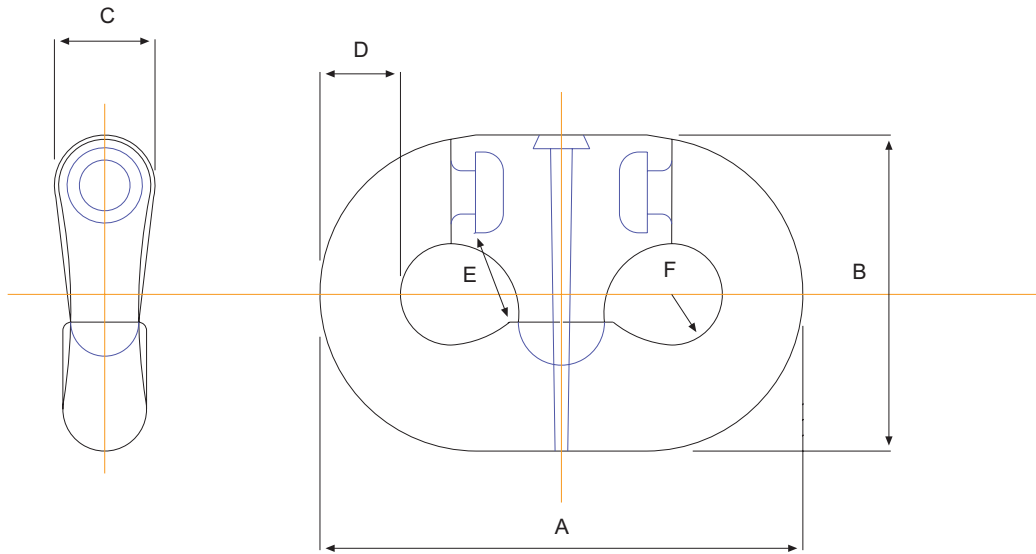


## BALTD Detachable Connecting Link



Chain Size	A (in.)	B (in.)	C (in.)	D (in.)	E (in.)	F (in.)	Break Test (lbs)	Weight (lbs)
3/4	4 1/2	2 29/32	15/18	3/4	7/8	15/16	75,000	2
13/16 - 7/8	5 1/4	3 3/8	1 3/32	7/8	1 1/8	1 3/32	98,000	3.5
15/16 - 1	6	3 7/8	1 1/4	1	1 5/32	1 1/4	129,000	4.5
1 1/16 - 1 1/4	6 3/4	4 3/8	1 13/32	1 1/8	1 1/4	1 13/32	161,000	6
1 13/16 - 1 1/4	7 1/2	4 27/32	1 9/16	1 1/4	1 15/32	1 9/16	198,000	8.5
1 5/8 - 1 3/8	8 1/4	5 5/16	1 23/32	1 3/8	1 5/8	1 23/32	235,000	11
1 7/16 - 1 1/2	9	5 13/16	1 7/8	1 1/2	1 3/4	1 7/8	280,000	15
1 9/16 - 1 5/8	9 3/4	5 5/16	2	1 5/8	1 31/32	2	325,000	20
1 11/16 - 1 3/4	10 1/2	6 25/32	2 1/4	1 3/4	2 1/16	2 3/16	380,000	24
1 13/16 - 1 7/8	11 1/4	7 1/4	2 1/2	1 7/8	2 5/32	2 11/32	432,000	32
1 15/16 - 2	12	7 3/4	2 1/2	2	2 5/16	2 1/2	488,000	36
2 1/16 - 2 1/8	12 3/4	8 1/4	2 21/32	2 1/8	2 1/2	2 21/32	548,000	44
2 3/16 - 2 1/4	13 1/2	8 23/32	2 13/16	2 1/4	2 5/8	2 13/16	610,000	52
2 5/16 - 2 3/8	14 1/4	9 7/32	3 1/16	2 3/8	2 3/4	2 15/16	675,000	61
2 7/16 - 2 1/2	15	9 11/16	3 1/8	2 1/2	2 7/8	3 1/8	744,000	71
2 9/16 - 2 5/8	15 3/4	10 3/16	3 1/4	2 5/8	3 1/16	3 1/16	813,000	82
2 9/16 - 2 3/16	16 3/4	10 5/8	3 7/16	2 3/4	3 3/16	3 7/16	885,000	95
2 13/16 - 2 7/8	17 1/4	11 1/8	3 19/32	2 7/8	3 11/32	3 3/8	965,000	107
2 15/16 - 3	18	11 5/8	3 3/4	3	3 17/32	3 3/4	1,045,000	120
3 1/16 - 1/8	18 3/4	12 1/8	4	3 1/8	3 5/8	3 11/16	1,128,000	138
3 3/16 - 3 1/4	19 1/2	12 5/8	4 1/16	3 1/4	3 5/8	4 1/16	1,210,000	161
3 5/16 - 3 3/8	20 1/4	13 3/32	4 7/32	3 3/8	3 15/16	4 7/32	1,296,000	177
3 7/16 - 3 1/2	21	13 9/16	4 3/8	3 1/2	3 1/16	4 3/8	1,383,100	195
3 9/16 - 3 5/8	21 3/4	14	4 9/16	3 5/8	3 3/16	4 9/16	1,566,000	215
3 11/16 - 3 3/4	22 1/2	14 1/2	4 11/16	3 3/4	4 11/32	4 11/16	1,750,000	256
3 13/16 - 3 7/8	23 1/4	15	5	3 7/8	4 1/2	4 3/4	1,863,400	271
3 15/16 - 4	24	15 1/2	5 3/16	4	4 5/8	4 15/16	1,966,000	288
4 1/8	24 3/4	16	5 1/4	4 1/8	4 3/4	5 1/4	2,062,500	320
4 1/4	25 1/2	16 1/2	5 5/16	4 1/4	5	5 3/8	2,134,000	352
4 3/8	26 1/4	16 15/16	5 1/2	4 3/8	5 1/16	5 1/2	2,398,000	383
4 1/2	27	17 1/2	5 5/8	4 1/2	5 1/4	5 5/8	2,508,000	416
4 5/8	27 3/4	17 7/8	5 3/4	4 5/8	5 3/8	5 3/4	2,675,000	447
4 3/4	28 1/2	18 1/2	6 1/8	4 3/4	5 1/2	5 7/8	2,805,000	488